



ANT International Pty Ltd

ABN 63 094 369 552

44 Suscatand St, Rocklea, QLD, 4106

07 3710 6700 07 3710 6767

sales@ant-get.com

ORDER FORM

SUBMIT

RESET FORM

PRINT

CUSTOMER INFORMATION

Date	Work Order #
Company	Phone
Address	Mobile
Contact	Email

PRODUCT REQUIRED

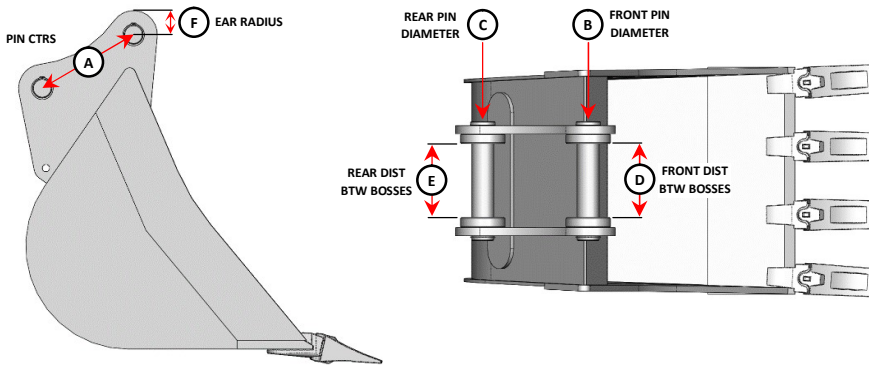
Product Description <i>(Please specify details such as: bucket width, # of GET, GET series & style, welded or removable pins - circlip or bolt, additional wear protection, side cutters, bolt on edges, sieve bucket opening)</i> <i>NB: ANT Pty Ltd standard features & specifications will be assumed if customization omitted.</i>	Unit Price excl. GST	Qty

MACHINE SPECIFICATION

Make	Size (ton)	Colour
Model	Hitch	

PICK UP MEASUREMENTS

(please take measurements from a bucket that fits your machine)



Measurements	
A	mm
B	mm
C	mm
D	mm
E	mm
F	mm

FURTHER DETAILS / SPECIAL INSTRUCTIONS *(for hitch enquiries where top ≠ btm, detail measurements A-F for top pick up below)*

Terms & Conditions

- 30% deposit required upon order placement
- No returns on fabricated products unless otherwise agreed
- No responsibility for any errors resulting from inaccuracies in the information supplied when using this form

CUSTOMER AUTHORIZATION

Name	Date	Signature
------	------	-----------